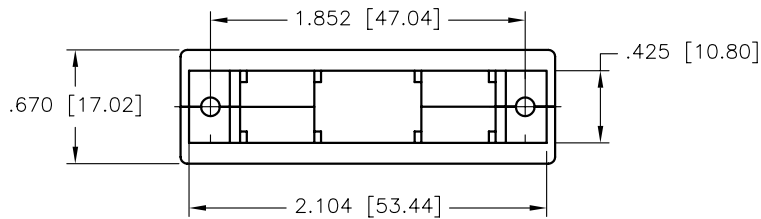
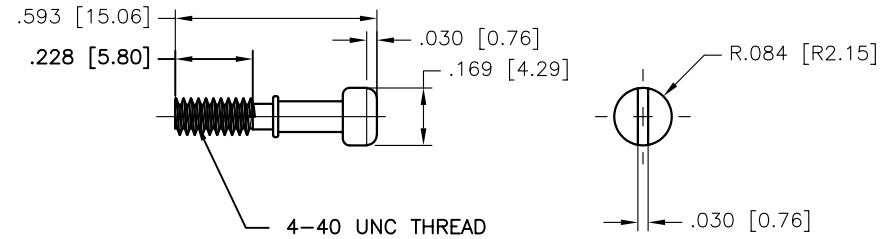
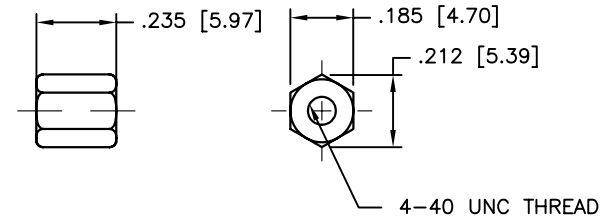
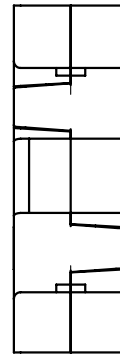
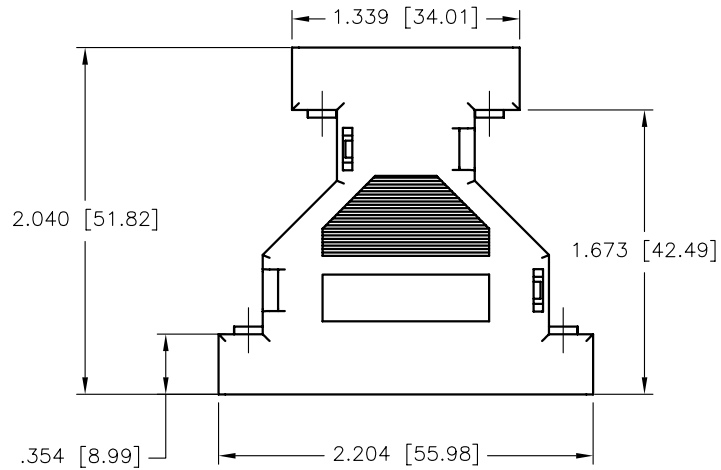
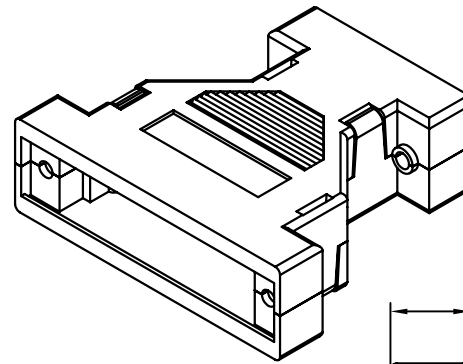
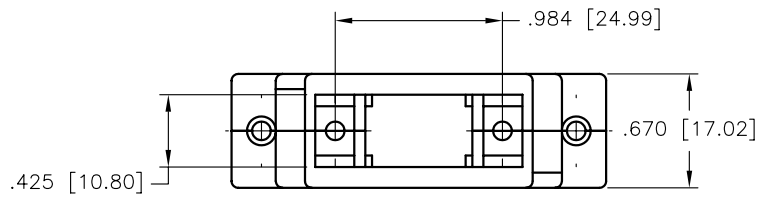


REV	DATE	DESCRIPTION	APP



NOTES:

- MATERIAL: A.B.S. (UL94HB)
- COLOR: SEE NOTE 5
- DIMENSIONS: INCHES [MM]
- KIT INCLUDES:
 - 1 - 2 PC. COVER
 - 4 - #4-40 CAPTIVE SCREW
 - 4 - #4-40 HEX EXTENDER
- PART NO. 201E09F25F001 - BLACK
PART NO. 201E09F25F003 - GRAY
- COMPLIANCE NOTE:
PART MUST BE IN COMPLIANCE TO:
DIRECTIVE 2002/95/EC of 27 January 2003 [RoHS]

UNLESS OTHERWISE SPECIFIED	SIGNATURES	DATE	Northern Technologies		THIS DRAWING IS THE PROPERTY OF NORTHERN TECHNOLOGIES AND SHOULD NOT BE REPRODUCED WITHOUT NORTHERN TECHNOLOGIES WRITTEN PERMISSION.
1. ALL DIMENSIONS ARE IN INCHES (MM) 2. DIMENSIONS ARE TYPICAL	DRAWN JSD	03-JAN-06	PART NUMBER 201E09F25F00X DESCRIPTION 9M/F TO 25M/F GENDER CHANGER COVER [RoHS]		
	CHECKED SCN	03-JAN-06			
	ISSUED	03-JAN-06	SHEET 1	CODE 7100_202	DWG NO. 7100-500-202
			SCALE N.T.S.		SHEET 1 OF 1

THIS IS A CONTROLLED DOCUMENT AND IS SUBJECT TO CHANGE. CONTACT NORTHERN TECHNOLOGIES ENGINEERING FOR THE LATEST REVISION.